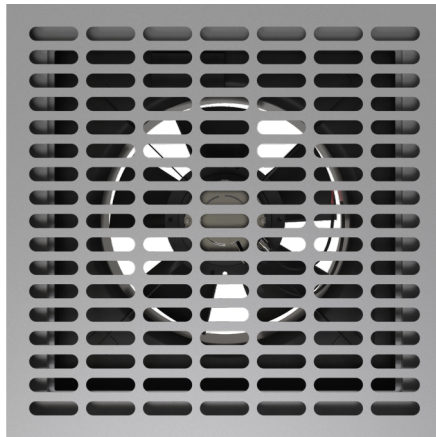


UNITILE MULTIPLYAIR 1500

ILLUSTRATION

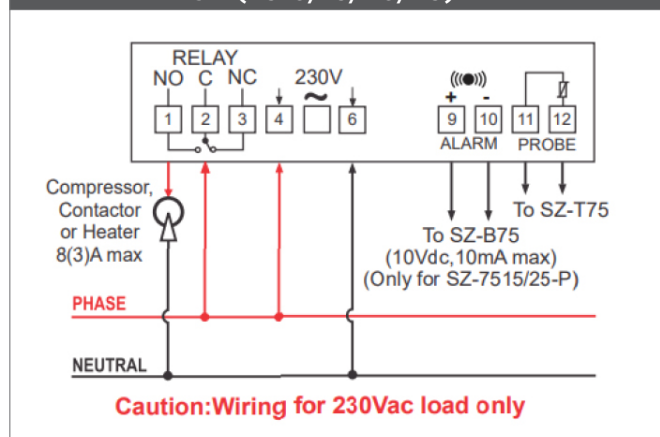


Structural Grade	Mild Steel
Top Plate Thickness	1.50 mm
Bottom plate Thickness	1.20 mm
Internal Reinforcement Thickness	2.00 mm
Overall Size	600 x 600 mm
Height of the Panel	35 mm
Overall Height of the Panel	56 mm
Minimum Permissible False floor height	450 mm
Concentrated Load	540 kgs over one square inch area (Using 100 X 100 X 5 mm spreader plate)
Uniformly Distributed Load	1620 kgs/sq meter
Air flow rate	1500 CFM at 0.1 of H2O (Static Pressure)
Air Flow Direction	Vertical Direction

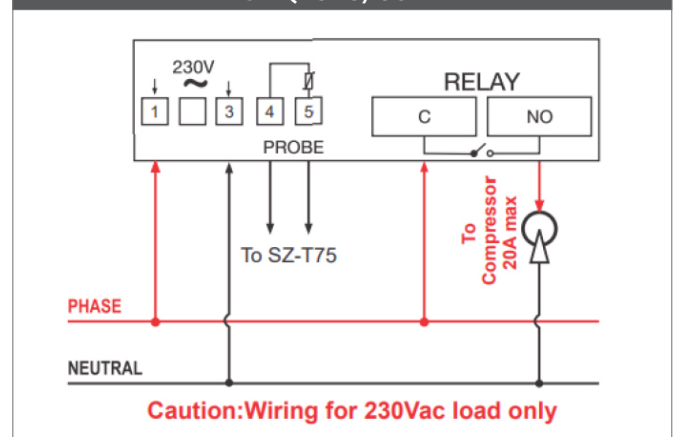
Temperature Controller Details	
Model No	SZ 7510/15/20/25/29/69-P
Power Input	230 Vac +/- 10%, 50-60Hz
Power consumption	73 Watt
Current Drawn	0.65 ampere
Operating Temperature	5°C to 50°C (Non-condensing)
Storage Temperature	20°C to 70°C (Non-condensing)
Output	1 SPDT relay 8 (3)A, 250 Vac. 1 SPST relay 20A, 250 Vac. (For SZ-7569/29-P only)
Input	NTC probe, SZ-N75
Range	-50°C to 99°C
Resolution	1°C
Accuracy	+/- 1°C
Probe tolerance at 25°C	+/- 0.3°C
Alarm (Buzzer)	SZ-B75.10 Vdc, 10mA

Suggested wiring

SZ-(7510/15/20/25)-P



SZ-(7529/69)-P



UNITILE MULTIPLYAIR 1500

MultiYair 1500 used for cooling a server rack of approximately 10 kw.

