

LOW FLANGE WIDTH

High Performance and High Efficiency



30
Years

of
leadership
and legacy



100mn
sq. ft.

of
workspaces
transformed



15mn
sq. ft.

annual
production
capacity

08

Offices



across
India



15k+

Clients

across
the globe

500+
Unitilers



growing with
40+ partners

CERTIFICATIONS



World Class
Quality



Health And
Safety
Measures



Singapore Green
Building Council
(SGBC)



Environmental
Conscientiousness



Indian Green
Building
Council



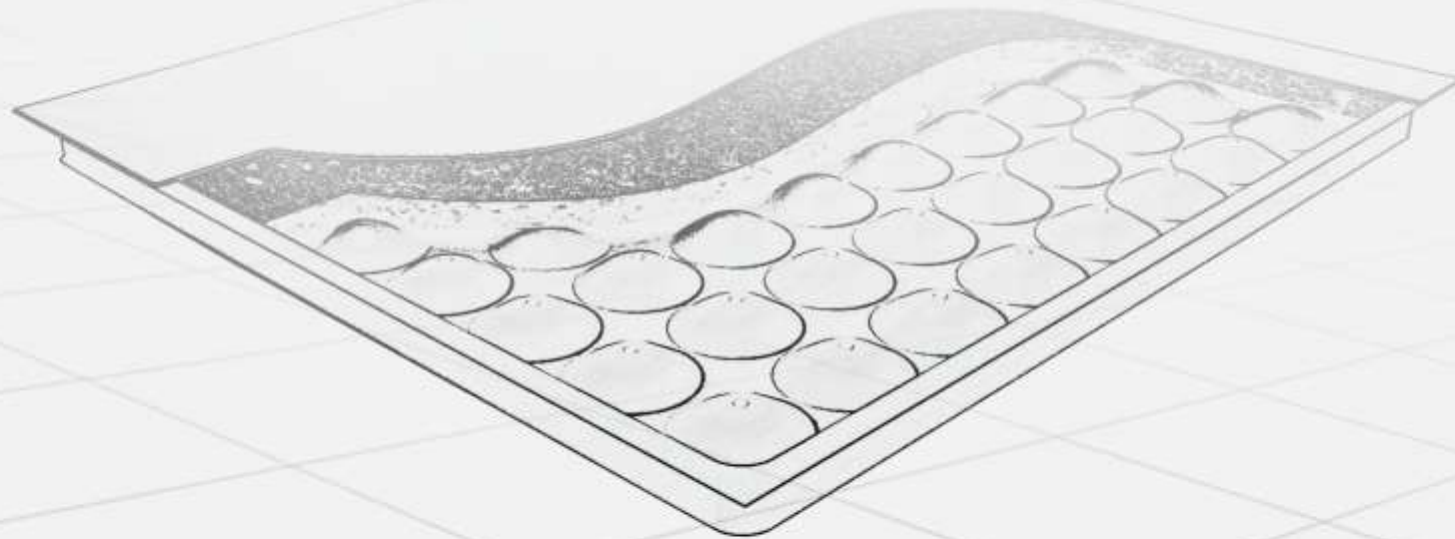
Certified by Bureau
Veritas, France



Excellence guaranteed with third
party tested at TÜV SÜD PSB,
Singapore

FEATURING LOW FLANGE WIDTH PANEL

A flexible and swift system for critical spaces



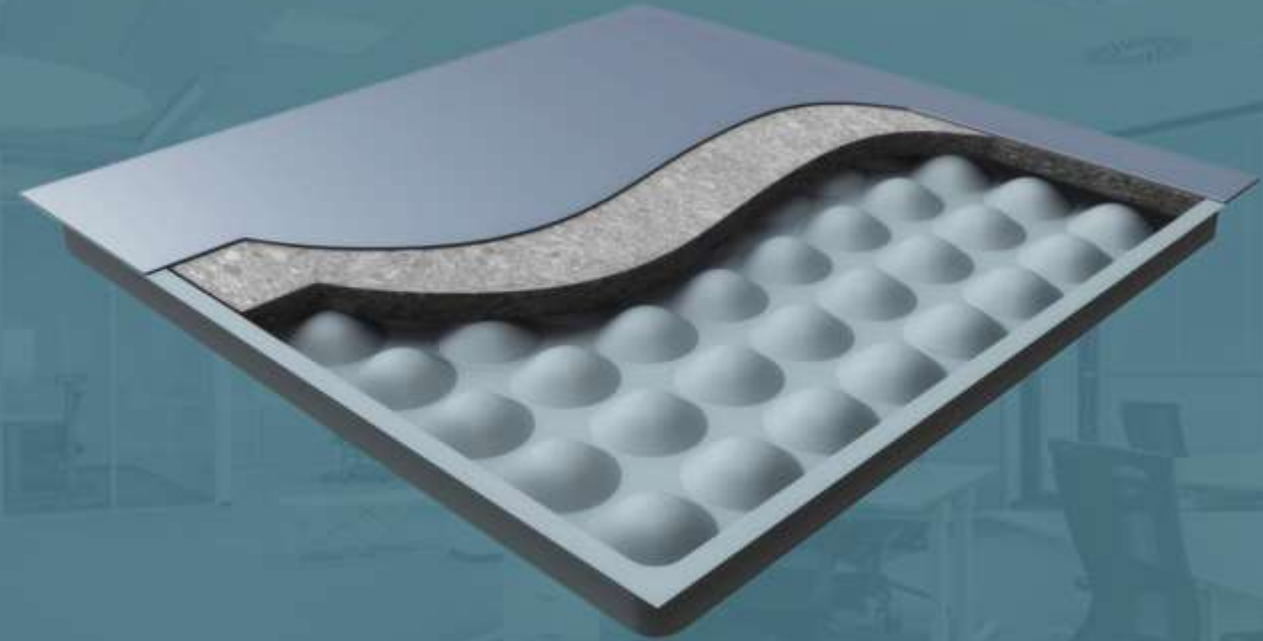
A Low Flange Width steel cementitious panel provides higher strength and overall stability to the flooring system. The reduced cantilever edges or flange widths reduces the risk of damage during the usage of the system.

Dimensions: 600 mm x 600 mm | 600 mm x 800 mm

Panel Thickness: 30 mm | 35 mm

SYSTEM SELECTION GUIDE

Grade	USF 800	USF 1000	USF 1250	USF 1500	USF 2000	USF 2500
Uniform Distributed load kgs/sq mt (lbf/sq ft)	363 (800)	454 (1000)	567 (1250)	680 (1500)	907 (2000)	1134 (2500)
Ultimate concentrated load kgs (lbf)	907 (2000)	1134 (2500)	1418 (3125)	1701 (3750)	1814 (4000)	2268 (5000)
Uniform Distributed load kgs / sq mt (lbf / sq ft)	1650 (338)	2025 (415)	2450 (502)	3100 (636)	3600 (738)	4000 (820)
Rolling load*	180 (397)	225 (496)	281 (619)	315 (694)	425 (937)	525 (1157)

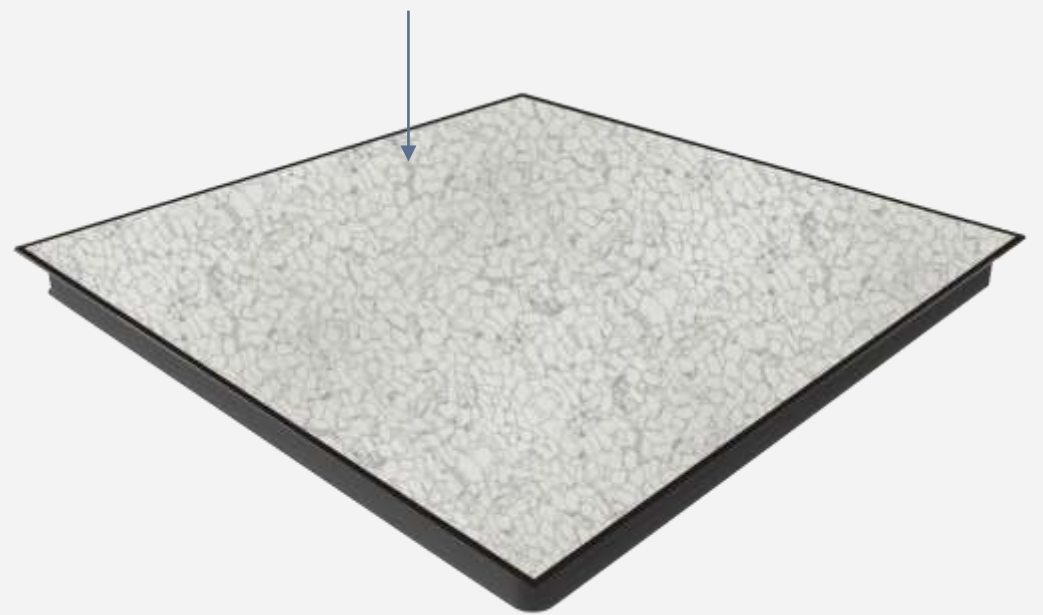


TOP FINISHES

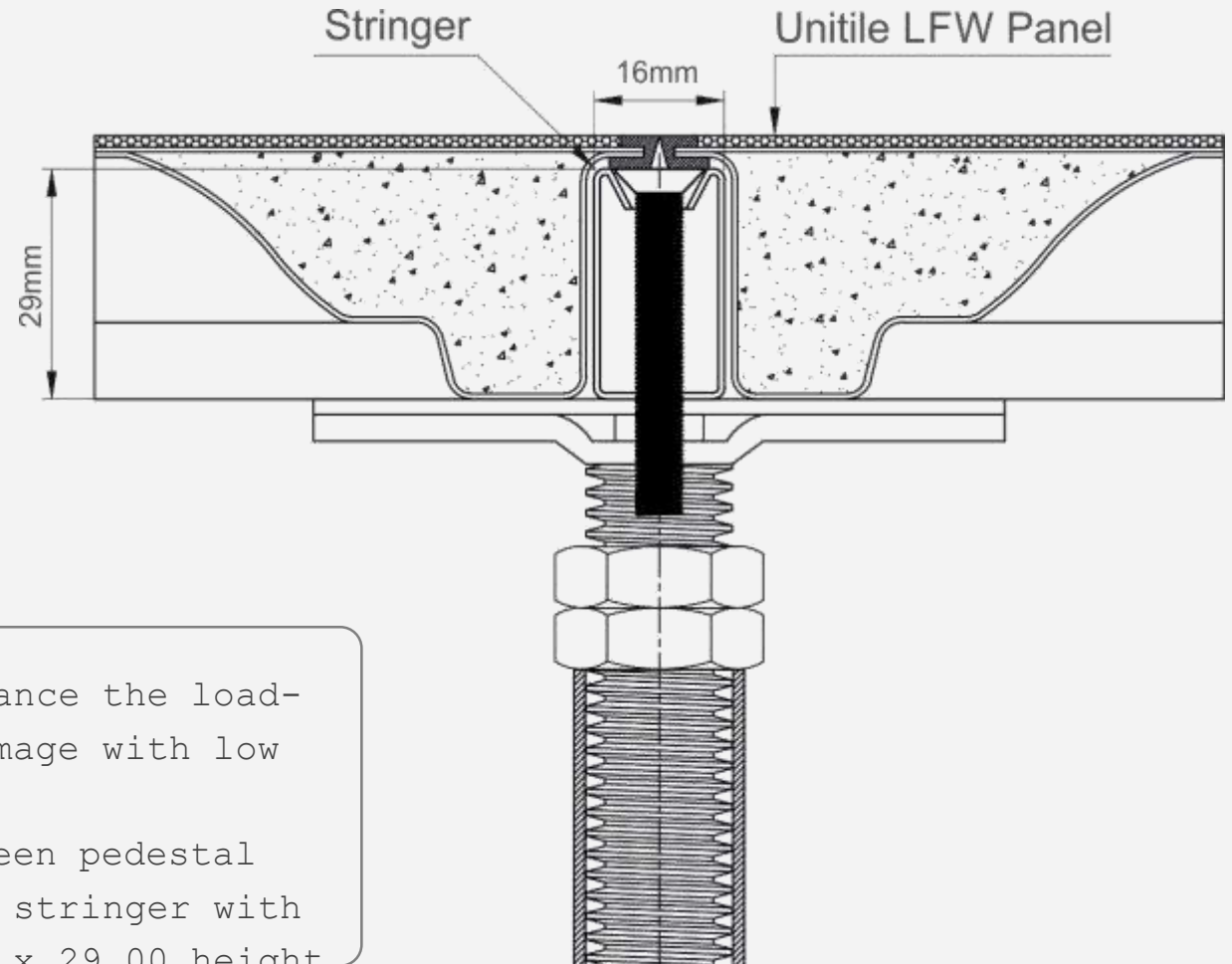
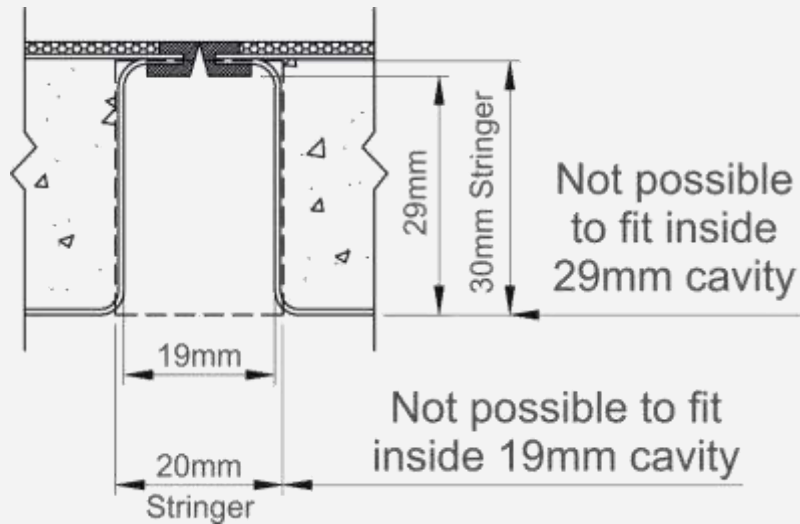
Top Finish High Pressure Laminate



Top Finish PVC / Vinyl Conductive



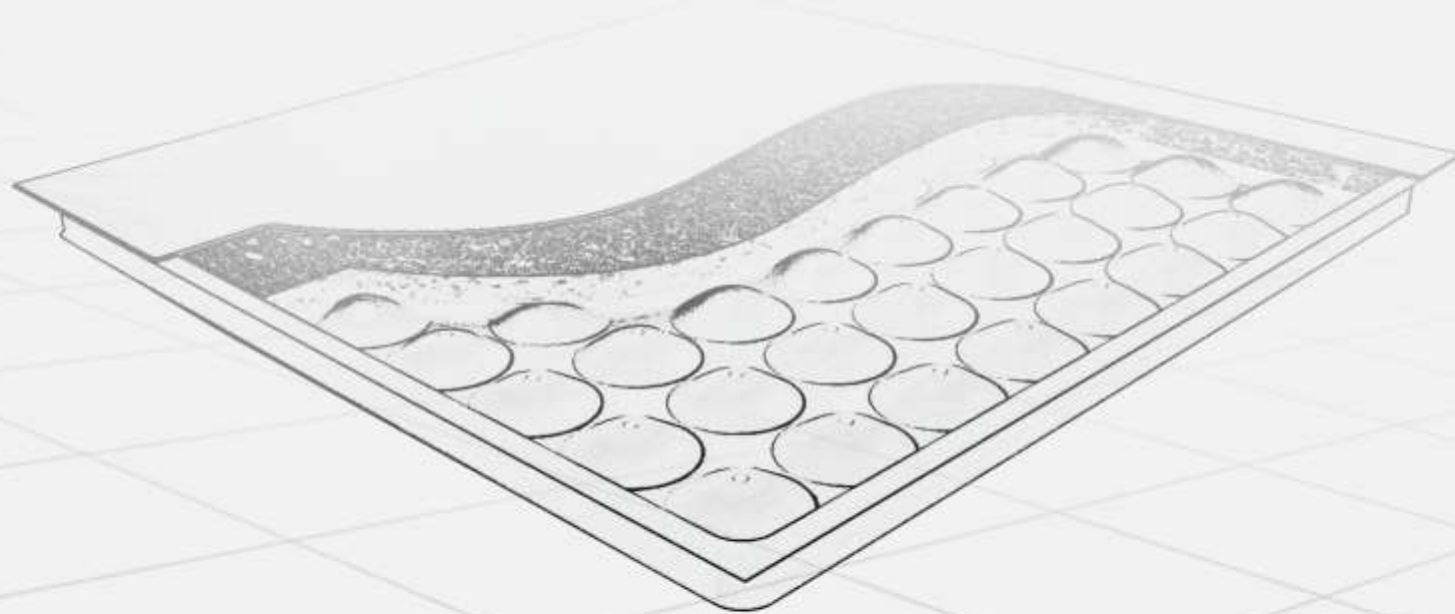
STRINGER SPECIFICATIONS



The low flange width system is designed to enhance the load-carrying performance and reduce the risk of damage with low cantilever edges.

The gap between the tiles is 19mm and gap between pedestal head and panel flange is 29mm hence requires a stringer with the dimensions of (590.00 length x 16.00 width x 29.00 height x 0.8mm thickness).

PRODUCT COMPARISON

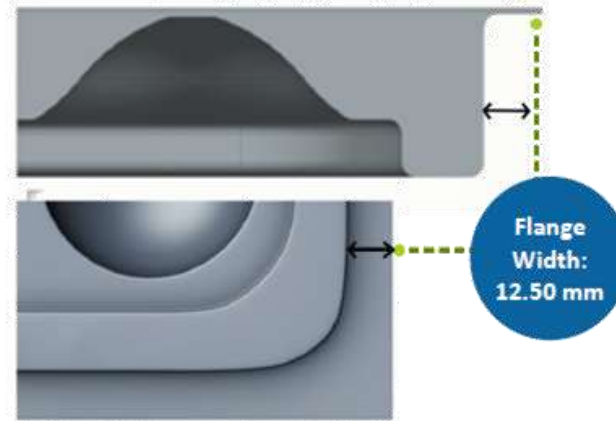


FLANGE WIDTH

STANDARD FLANGE PANEL

Drawbacks of a standard flange width cantilever panel are:
flange width - 12.50mm

The cantilever edges of the panel are not supported with any cementitious reinforcement and are vulnerable to damage at site.

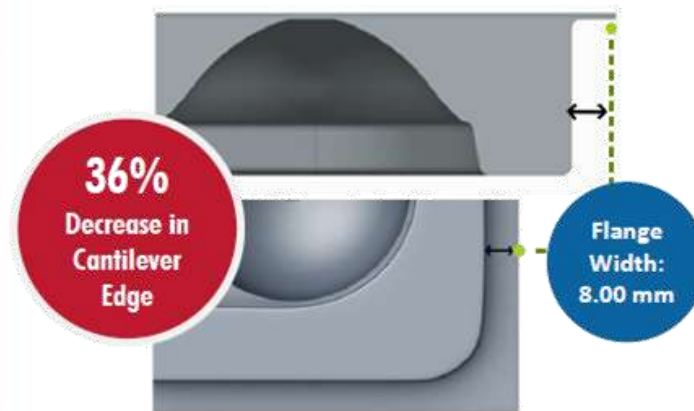


LOW FLANGE PANEL

Advantages of a low flange width cantilever panel are:
flange width - 8.00mm

36% decrease in cantilever edge.

Reduced and low cantilever edges of the panel provides higher strength to the unsupported edge thus reduces the risk of damage.

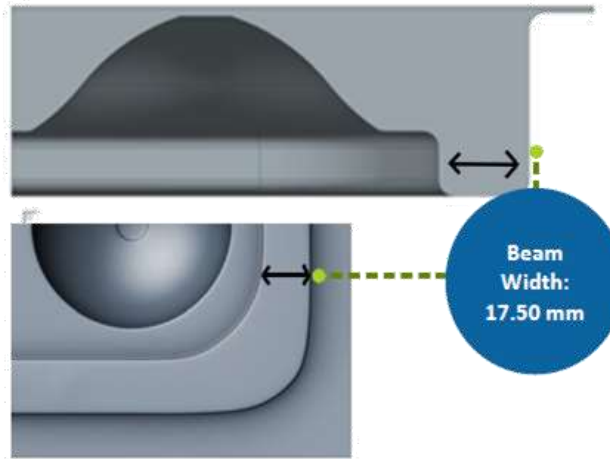


BEAM WIDTH

STANDARD FLANGE PANEL

17.50 mm beam width

The narrow beam limits the overall stability of the system, causing instability and rocking of the panels.

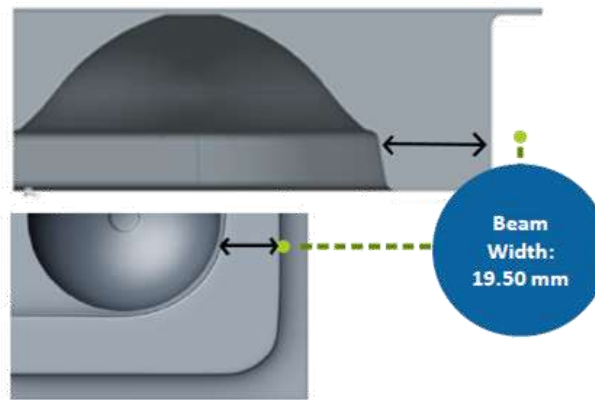


LOW FLANGE PANEL

19.50 mm beam width

A wider beam width increases the overall stability of the system and enhances its technical performance and loading parameters.

- 57% increase in the uniformly distributed loading capacity

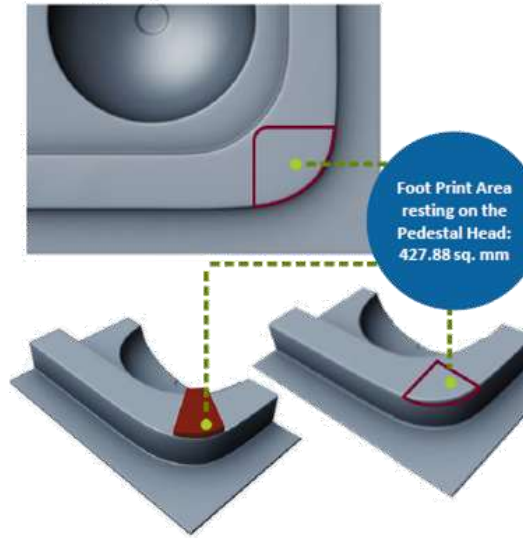


FOOT PRINT AREA

STANDARD FLANGE PANEL

427.88 sq. mm. foot print area of the panel rests on the pedestal head plate

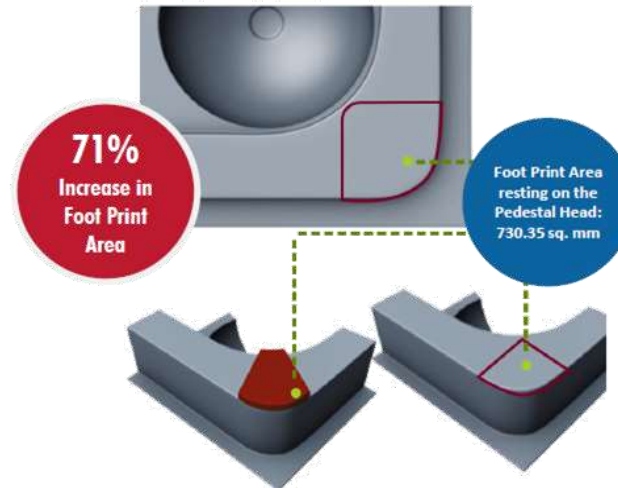
Lower footprint area of the panel on the pedestal head - 427.88 sq. mm. reduces the stability of the panel.



LOW FLANGE PANEL

730.35 sq. mm. foot print area of the panel rests on the pedestal head plate

71% increase in foot print area



CANTILEVER

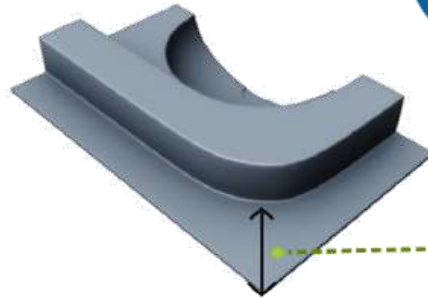
STANDARD FLANGE PANEL

Cantilever unsupported edge
- 30.10 mm

Higher radius leads to increased
cantilever of the unsupported
flanges at the diagonal corner
of the panel



Cantilever
unsupported
edge of steel
flange at the
corner:
30.10 mm



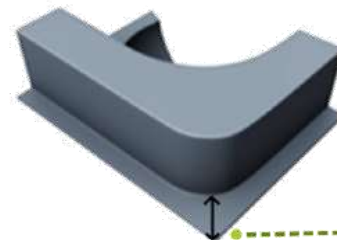
LOW FLANGE PANEL

Cantilever unsupported edge
- 19.60 mm

Lower radius decreases the
cantilever of the unsupported
flanges at the diagonal corner
of the panel



Reduced
Cantilever of the
steel flange at
the corner:
19.60 mm



GAP BETWEEN PANEL AND STRINGER

STANDARD FLANGE PANEL

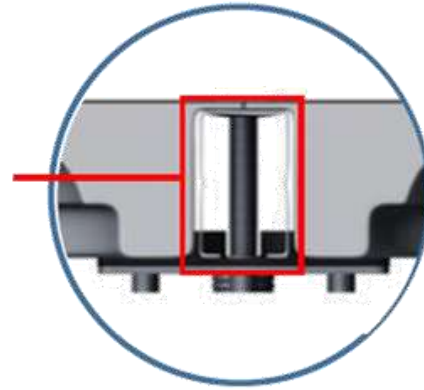
The draw backs of the below visible gaps between the panel & stringer:

The panels are floating with gaps all around the perimeters.

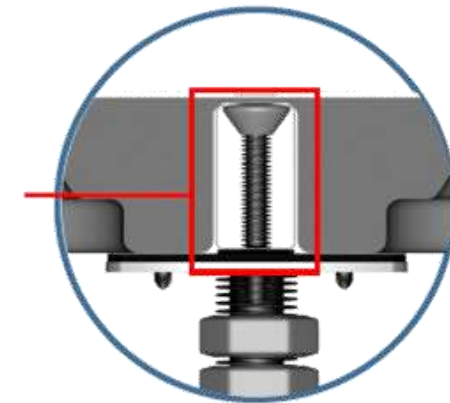
Misalignment in floor levels issues hampers the floor leveling at site.

Overlapping of panels.

Edge beading damage leads to the possibility of permanent detachment from the panel perimeters.



Gap between panel and stringer



No gap between panel and stringer

LOW FLANGE PANEL

The advantages of no visible gaps between the panel & stringer:

The panels are snug fit to the under structure grid system.

100% perfect alignments due to the grid being a perfect 90 degree angles.

No overlapping of panels.

Integral trim design eliminates the use edge beeding.

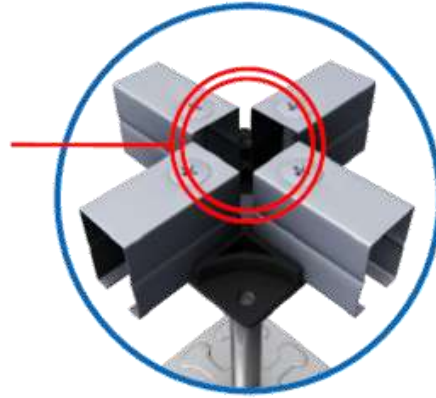
STRINGER

STANDARD FLANGE PANEL

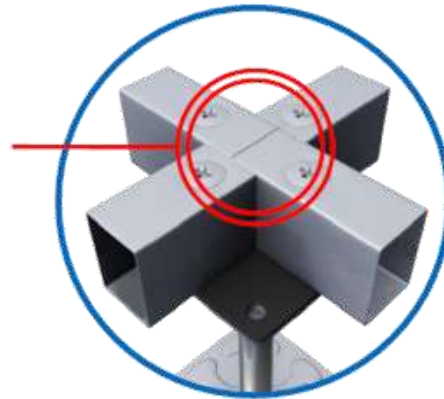
C type

This system does not support the corner edges of the panel leading to:

- Poor lateral stability
- Misalignment of panels
- Damage of stringers



Unsupported area of the panel flanges at the diagonal edge



Fully supported area of the panel flanges at the diagonal edge

LOW FLANGE PANEL

Box type end to end stringer

This system supports the corner edges leading to the following advantages:

- Enhanced lateral stability and load carrying capacity
- Improves the load carrying capacity of the system
- Reduces the damage to the panel edges during rolling and impact loads.
- Reduces air leakage
- Positive engagement of the stringer with the pedestal cap ensuring accurate installation and alignment.

STANDARD FLANGE PANEL

1 year

No

No

Major challenges due to frequent handling of standard flange panels leading to damage of edges at the perimeter

WARRANTY

**GREEN
CERTIFICATIONS**

RELOCATION

**RESTACK /
REFURBISHMENT**

LOW FLANGE PANEL

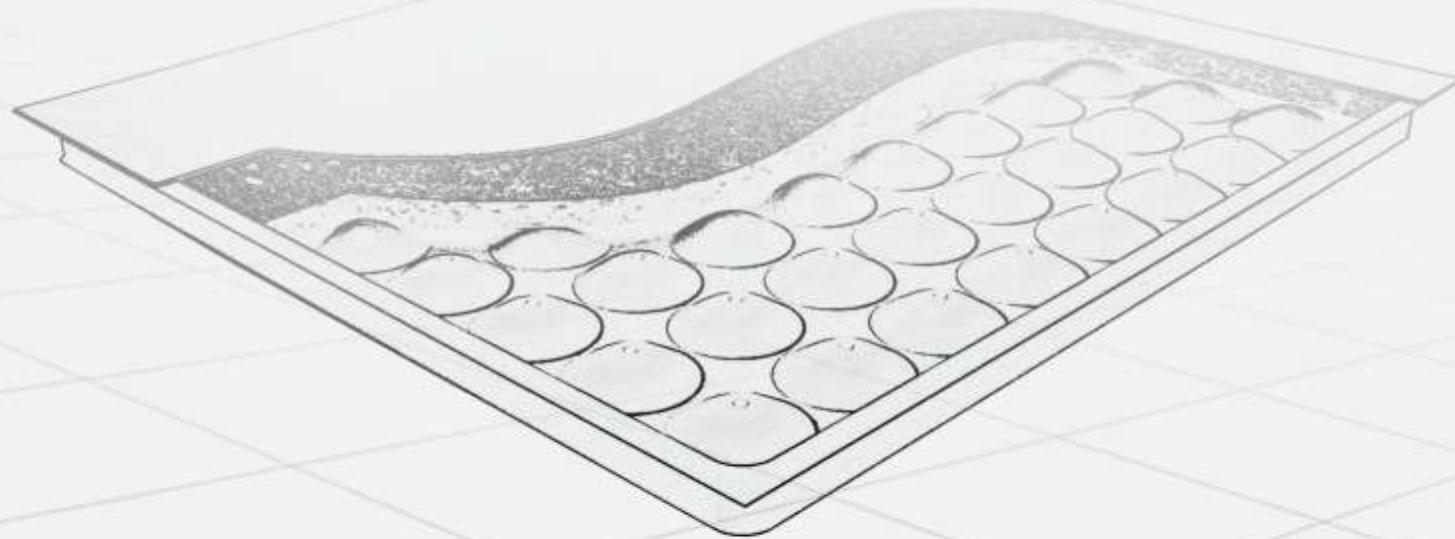
15 years (life of the facility)

YES -
Singapore green building council

YES -
Even after a period of 15 years

Low flange technology ensures smaller cantilever thus preventing the damage and improving the products lifecycle

KEY PROJECTS



KEY CLIENTS



3,70,292
Sq. Ft.



3,16,881
Sq. Ft.



1,89,080
Sq. Ft.



1,85,431
Sq. Ft.



1,40,750
Sq. Ft.



1,73,623
Sq. Ft.



96,025
Sq. Ft.



69,363
Sq. Ft.



69,342
Sq. Ft.



67,124
Sq. Ft.



66,392
Sq. Ft.



55,725
Sq. Ft.



51,075
Sq. Ft.



49,406
Sq. Ft.



44,886
Sq. Ft.



44,024
Sq. Ft.

KEY CLIENTS



40,688
Sq. Ft.



39,289
Sq. Ft.



37,943
Sq. Ft.



34,434
Sq. Ft.



34,229
Sq. Ft.



33,056
Sq. Ft.



31,699
Sq. Ft.



24,111
Sq. Ft.



23,196
Sq. Ft.



22,905
Sq. Ft.



21,355
Sq. Ft.



20,774
Sq. Ft.



19,504
Sq. Ft.



18,524
Sq. Ft.



18,352
Sq. Ft.



16,533
Sq. Ft.

KEY CLIENTS



18,579
Sq. Ft.



14,531
Sq. Ft.



13,950
Sq. Ft.



13,831
Sq. Ft.



13,035
Sq. Ft.



12,529
Sq. Ft.



10,764
Sq. Ft.



10,721
Sq. Ft.



10,269
Sq. Ft.



10,010
Sq. Ft.

OUR PRESENCE



INDIA

Ahmedabad | Ankleshwar | Aurangabad | Bareilly | Bengaluru | Chandigarh | Chennai | Cuttack | Goa | Gurugaon | Guwahati | Hyderabad | Indore | Jaipur | Kanpur | Kolkata | Lucknow | Mumbai | Nagpur | New Delhi | Pune | Raipur | Thane | Vadodara | Thiruvananthapuram | Cochin

INTERNATIONAL

Azerbaijan | Bahrain | Bangladesh | Egypt | Hong Kong | Indonesia | Kenya | Nepal | Oman | Philippines | Qatar | Saudi Arabia | Singapore | Sri Lanka | Tanzania | Turkey | UAE | Vietnam | Maldives | Nigeria | Bhutan | South Africa