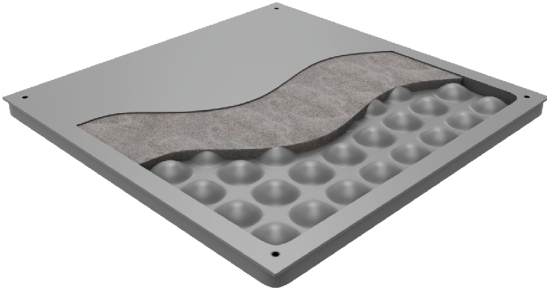


## UNITILE UNIFOLD 1650 BARE, CORNER LOCK SYSTEM

### PANEL ILLUSTRATION



Category	Bare, Corner Lock
Panel size	600 x 600 mm
Core Material	Cement
Panel Core Thickness	30 mm
Panel Weight	13.1 kgs
Weight of System	40kg/m <sup>2</sup> for FFH 200mm (varies with height)
Overall Floor Height	65 mm - 2000 mm

### FEATURE BENEFITS

- ▶ Unique folded flange design increases edge strength.
- ▶ Guaranteed no squeaking sound as folded flanges are not vulnerable to damage at site.
- ▶ Folded flanges eliminate risk of cuts and accidents to onsite workers.
- ▶ Reduce risk of onsite damage.
- ▶ Increased foot print area boosting panels' structural performance and stability.

### PRODUCT STRUCTURAL PERFORMANCE

Concentrated Load (Point Load)	363 kgs (800 lbf)
Uniformly Distributed Load (UDL)	1650 kg/m <sup>2</sup>
Ultimate Concentrated Load	1089 kgs (2400 lbf)
Rolling Loads	180 kgs (400 lbf)
Fire Rating	Class O & Class 1, ASTM E84 1998 (Flammability) & ASTM E136 (Combustibility)
Pedestal Axial Load Test	18 KN
Pedestal Over Turning Moment Test	113 N x Meters

### SYSTEM DESCRIPTION

Unifold 1650 Access floor panel incorporates folded flange technology which ensures a noise neutral floor. The design also improves edge strength and accessibility. Unifold is the most advanced raised access flooring technology available in the world. The Unifold panel is known for its exceptional characteristics of strength and durability.

The pedestal assembly shall provide easy adjustment of leveling and accurately align panels for a maximum  $\pm 25$  mm in the vertical direction. The Pedestal head assembly shall consist of embossed head mechanically riveted to a rolled formed stud and 2 check nuts for level adjustment and arresting vertical movement. The pedestal head shall consist of an anti-vibration conductive cap with inbuilt isolating spacers for Panel location.

All steel components shall be Hot Dip Galvanized.

### PANEL CONSTRUCTION

The UFP 1650 is of size 600 x 600 mm, an all steel welded construction with an enclosed bottom pan of 64 hemispherical cones, while the plain top sheet is fuse-welded at 64 locations to form a panel. All the four sides of the panel are double fold wrapped around the perimeter edges with 4 corner holes on all edges for bolting the panel to the substructure to form a rigid leveled floor.

The hollow panels are pretreated and coated with electrostatically deposited epoxy raise 60 - 80 micron thick on all the exposed sides of the panel. The hollow core of the panel is injected with a lightweight, fire retardant, noncombustible cementitious compound at high pressure to ensure support of not less than 90% of the top surface area of the panel.

### APPLICATIONS

- |  |   |
|--|---|
| <input checked="" type="checkbox"/> General Office | <input checked="" type="checkbox"/> Casino  |
| <input checked="" type="checkbox"/> Training Room  | <input checked="" type="checkbox"/> Hotel   |
| <input checked="" type="checkbox"/> Auditorium     | <input checked="" type="checkbox"/> Library |

### FACTORY BONDED FINISHES

- |  |  |
|--|--|
| <input checked="" type="checkbox"/> Bare | <input checked="" type="checkbox"/> Modular Carpet |
|--|--|

## UNITILE UNIFOLD 1650 BARE, CORNER LOCK SYSTEM

### SPECIAL APPLICATIONS

<b>Bridging Sections</b>	Where obstructions prevent the use of pedestals
<b>Ramp Pedestals</b>	Pivot head pedestal to support angled ramp panels

### OVERALL FLOOR HEIGHT/ FFH

<b>Pedestal</b>	65mm - 2000mm
<b>Type</b>	Corner Lock

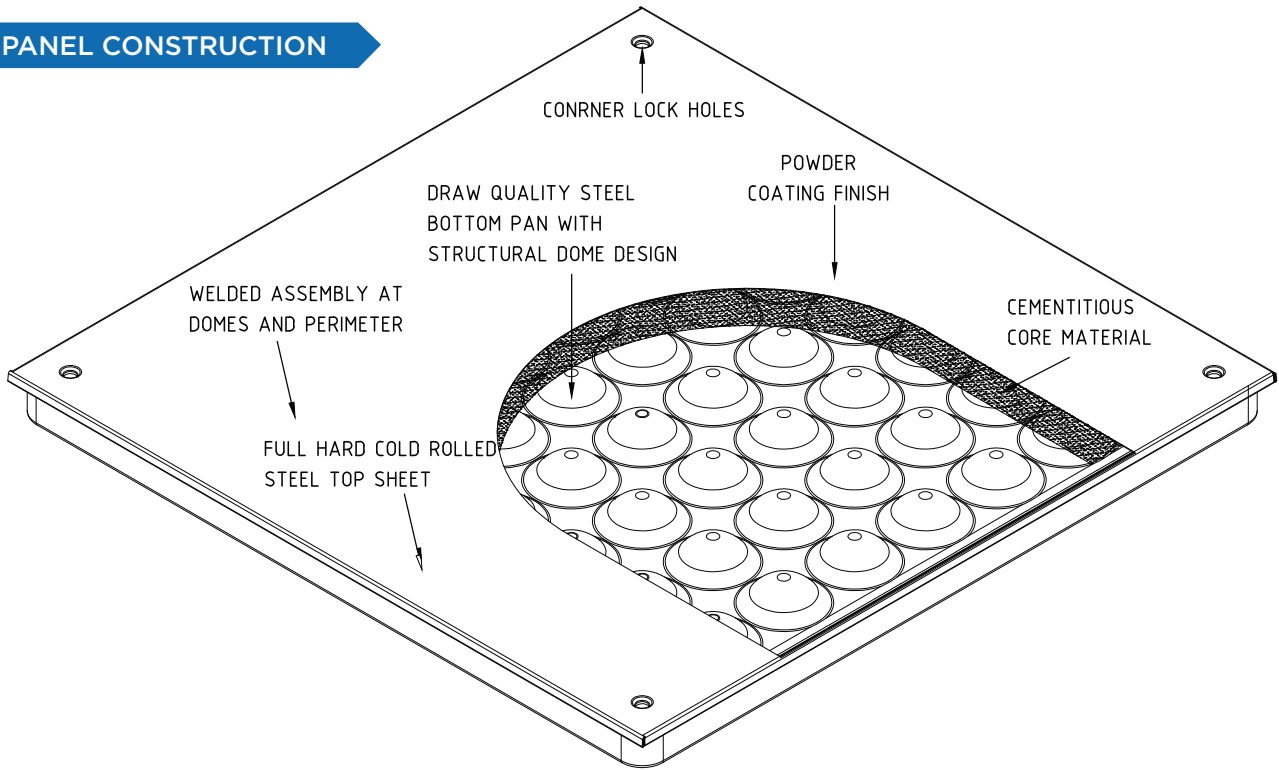
### FABRICATION TOLERANCE

<b>Floor Panel Flatness</b>	± 0.75 mm in any direction
<b>Floor Panel Width or Length from specified size</b>	± 0.50mm
<b>Floor Panel Squareness</b>	± 0.38mm

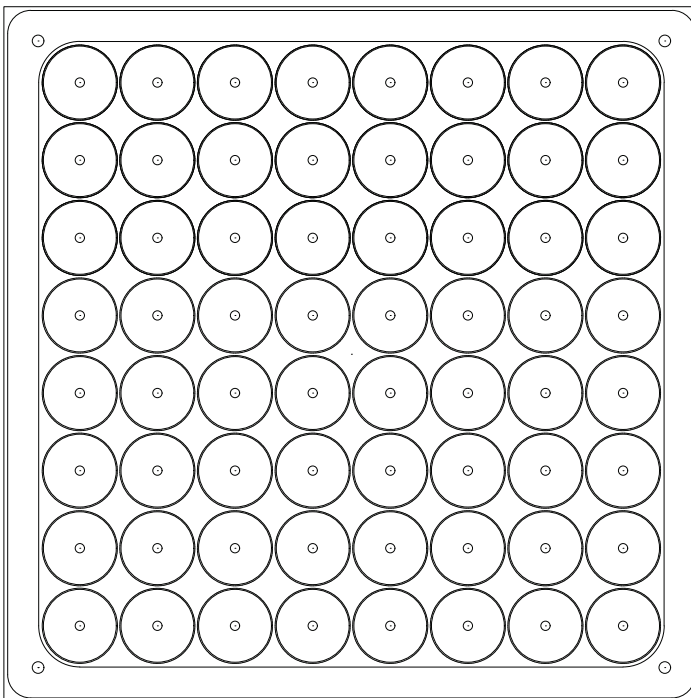
### INSTALLATION TOLERANCE

<b>Overall level before application of any load</b>	± 1.5 mm over any 5.00 Sq mt. ± 6 mm over any size of basic space
<b>Panel Level</b>	+ 0.75 mm before the application of any load
<b>Panel Interchangeability installation and removal</b>	Interchangeable (except for field cut panels) & replaceable in any of the four directions at 90° increments

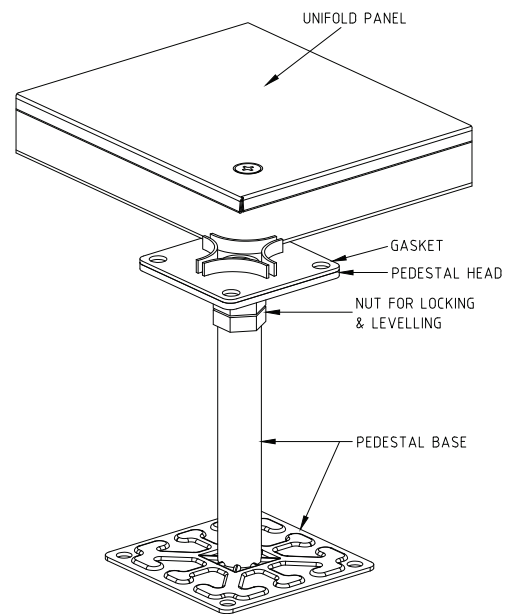
## PANEL CONSTRUCTION



## PANEL BOTTOM VIEW



## UNDERSTRUCTURE



## SECTION VIEW

