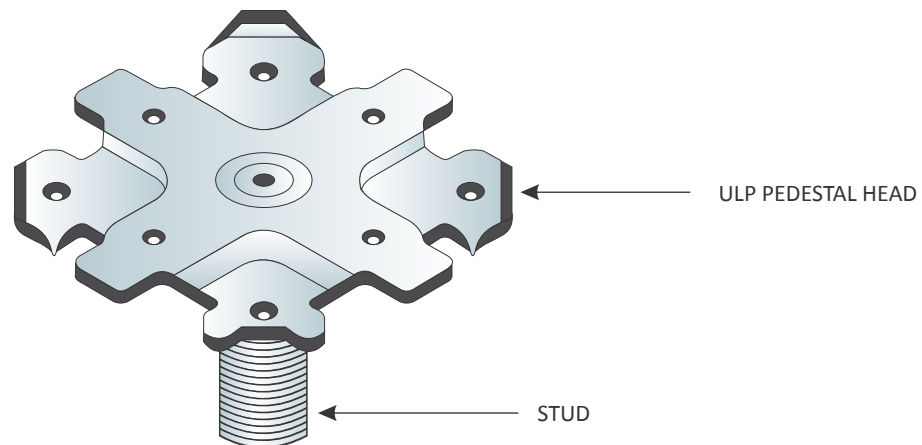
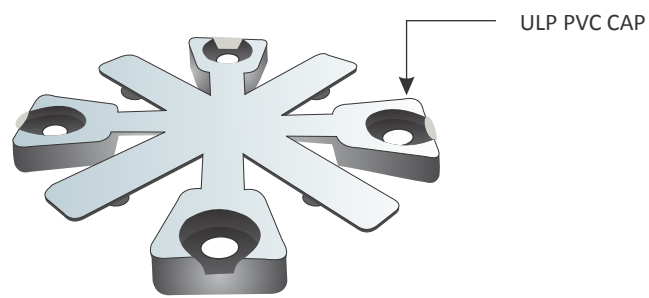
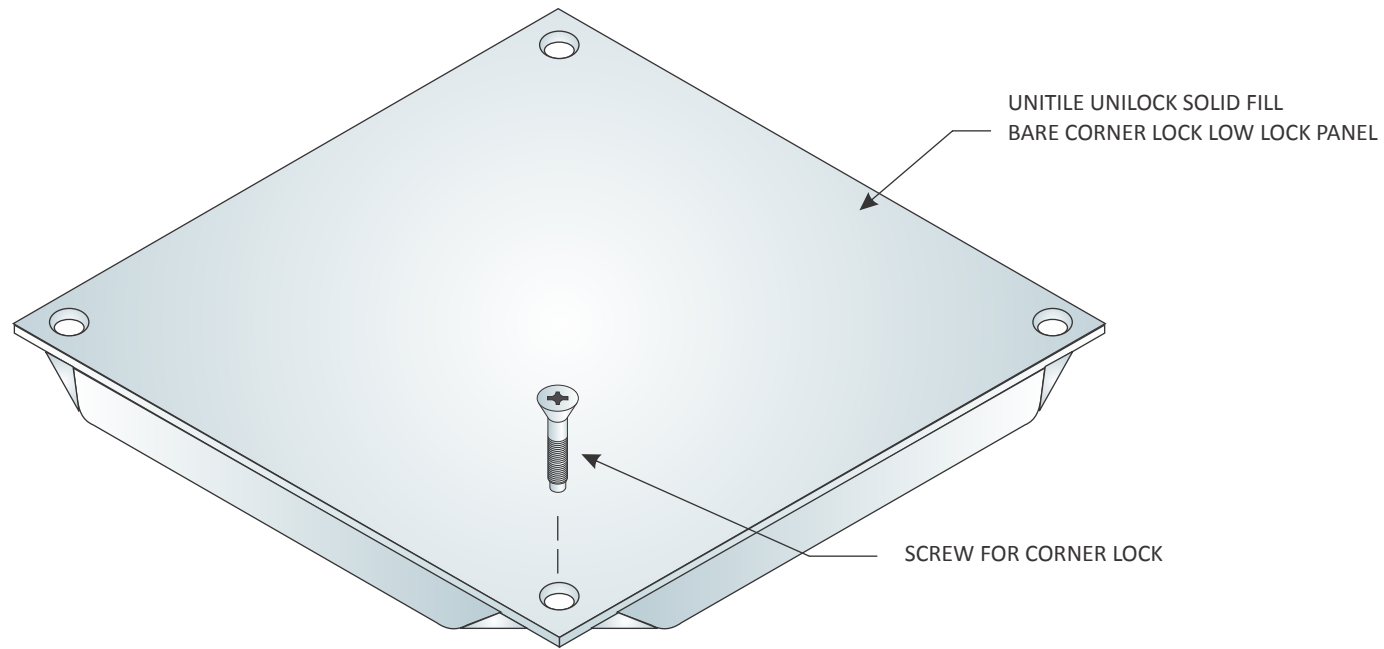
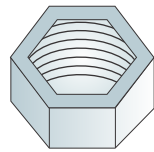


- GOOD FOR GRADE (ULP 800/ULP 1000/ULP 1200)
- GOOD FOR FINISHED FLOOR HEIGHT 65MM TO 150MM
- REFER TO RELEVANT DRAWINGS FOR SYSTEMS BELOW 65MM AND ABOVE 150MM

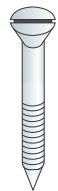


CHECK NUTS FOR
LEVELING AND LOCKING



THE UPPER END OF THE PEDESTAL PIPE IS INTERNALLY THREADED, DRAWN AND REDUCED TO FORM A DIAMETER SUITABLE TO ACCOMMODATE THE PEDESTAL HEAD ASSEMBLY AND ALSO TO IMPROVE THE MECHANICAL STRENGTH OF THE PEDESTAL

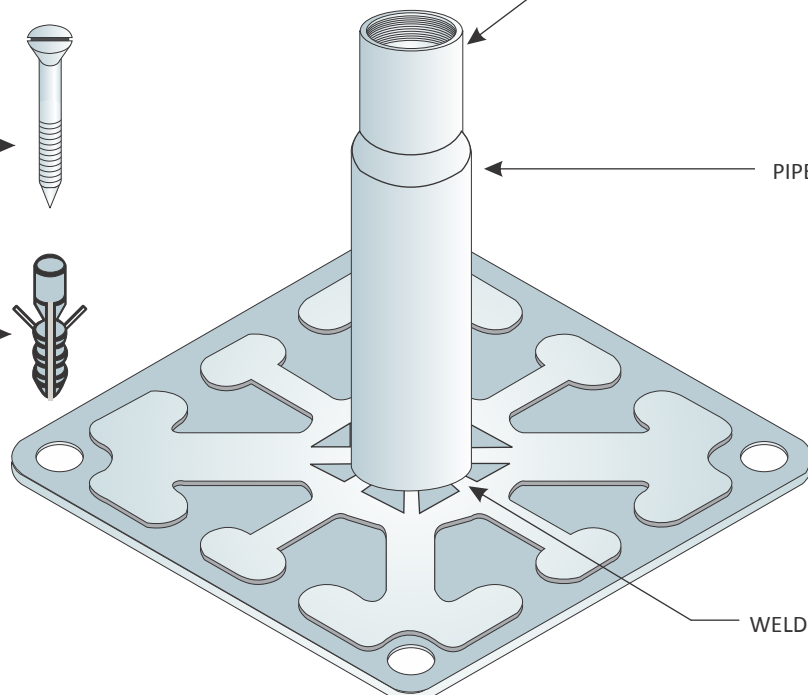
OPTIONAL SCREW
FOR FIXING OF BASE
PLATE IN FLOOR SLAB



PLASTIC RAWAL PLUG



PIPE



BASE PLATE

WELDING JOINT

NOTE:

- PEDESTAL BASE ASSEMBLY HOT DIPPED GALVANIZED. • PEDESTAL HEAD ASSEMBLY ZINC ELECTRO PLATED.
- RECOMMEND ADHESIVE UP TO FFH 200MM. • FFH 200 TO 600MM OPTIONAL SCREW. • FFH 600 TO ABOVE ANCHOR FASTNER ON EXTRA COST.